

MILLIPORE

RiOs™_{30/50/100/150/200}

Laboratory-Grade Water Systems

<up to 8000 liters per day>



Total PureWater
Solutions



*Millipore has over 40 years experience in the development of products aimed at improving the quality and reliability of results; from research laboratories to QA/QC laboratories in the pharmaceutical industry. Based on this in-depth knowledge of diverse **laboratory applications and equipment, pharmaceutical industry requirements and water purification techniques**, Millipore provides a comprehensive package for total water purification systems for a single laboratory, a suite of laboratories or an entire laboratory building.*

Pure Experience

Total Pure Water Solutions

Millipore is the partner of choice for total water purification systems from conception and design through to installation and user support services.

We work in partnership with all parties involved in a project: helping each customer define their own specific needs, then working with equipment suppliers, architects, engineers, and other consultants to design and install the system to meet exact customer requirements. We also help with budget planning, and provide a detailed quotation package.

Millipore can provide project management support and valuable advice on the total water system, including comprehensive maintenance and qualification programs for full peace-of-mind.

User Needs & Requirements

Laboratory-grade water is frequently used in laboratories, mainly for applications such as general rinsing, feedwater to washing machines and autoclaves, or feed to Milli-Q® and Super-Q™ ultrapure water systems.

Millipore has developed RiOs systems for users requiring a few hundred liters up to several thousand liters per day of laboratory-grade water.



RiOs System

One complete purification and control unit

Total Control

RiOs systems provide total control of all water purification system functions, operating parameters and standard accessory components:

- > within the RiOs system itself, including the purification sequence and water quality monitoring
- > within the external pure water distribution loop, including the distribution loop pump, distribution loop UV lamp, water detector, automatic loop drain valve, Automatic Sanitization Module (ASM) on the storage reservoir and resistivity monitor in the distribution loop.
- > No external control box is normally required.

- Parameters are controlled at each stage of the purification process to ensure consistent water quality - including feedwater conductivity, RO permeate conductivity, % rejection of the RO membranes, water temperature, and operating pressure.

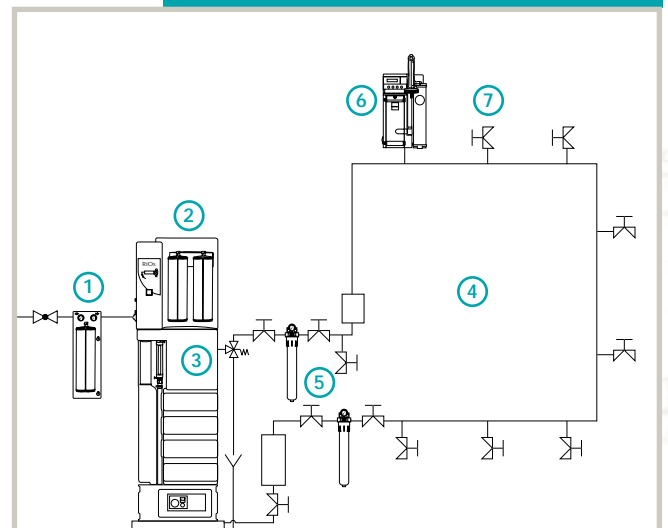
Easy maintenance and low running costs

- Easy-to-replace pretreatment packs, tailored to the feedwater source.
- Water savings based on the RO-reject water recirculation loop.
- Adjustable RO percent recovery to optimize running conditions.



The RiOs system incorporates both the complete water purification sequence for the production of laboratory-grade water, as well as the entire control and monitoring functions for the total water purification system. Flow rate and water quality can be upgraded in RiOs systems.

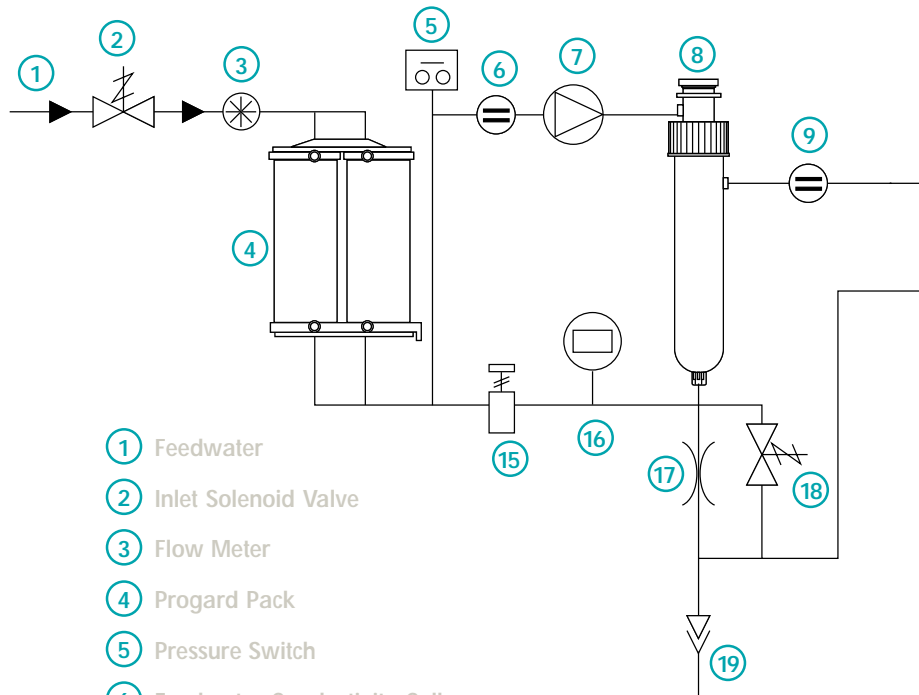
Example of a Total Water Purification System



A total water purification system requires the main water purification system to be integrated into a centralized system. For example:

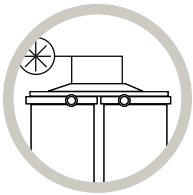
- ① Pretreatment
- ② Make-up water purification system (RiOs system)
- ③ Storage reservoir
- ④ Distribution loop
- ⑤ Accessories (UV Lamp, Resistivity Monitor, Bacteria Filter, etc.)
- ⑥ Milli-Q system (point-of-use polisher)
- ⑦ Pure water point-of-use

Inside the RiOs



- ① Feedwater
- ② Inlet Solenoid Valve
- ③ Flow Meter
- ④ Progard Pack
- ⑤ Pressure Switch
- ⑥ Feedwater Conductivity Cell
- ⑦ Pump
- ⑧ RO Cartridge(s)
- ⑨ Permeate Conductivity Cell
- ⑩ Permeate Divert Valve
- ⑪ Polishing Pack (optional)

Pretreatment



The Progard™ TL pretreatment pack is the first step and removes:

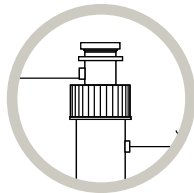
- Particles (0.5 µm filter)
 - Free chlorine and colloids (activated carbon filter)
- from tap water to protect the system.

Additionally:

- an anti-scaling agent protects the reverse osmosis membrane in hard water areas
- bactericidal carbon prevents unwanted bacterial growth

Pretreatment packs are tailored to the feedwater source :

- Primary system packs for standard feedwaters
- Secondary system packs (external holder) for high fouling index and/or high chlorine levels.



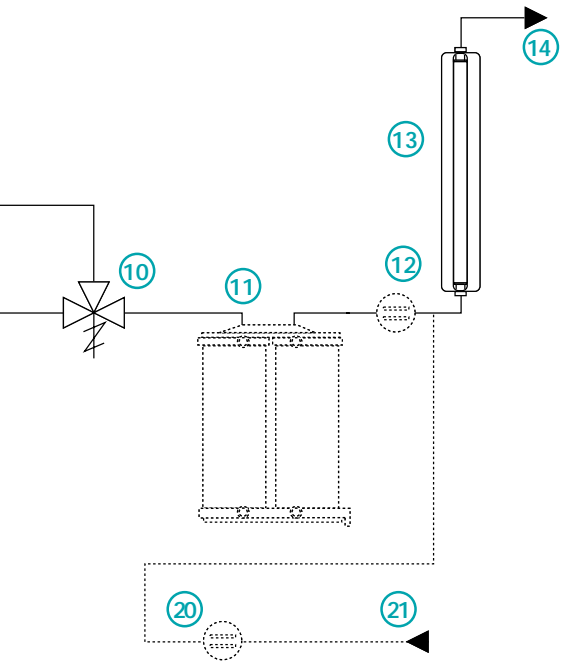
Advanced Reverse Osmosis

Reverse Osmosis (RO), the second step, removes 95-99 % of ions and 99 % of all dissolved organic substances (MW >200 Dalton), micro-organisms and particles.

Built-in advanced features provide 2 major benefits:

- **high water recovery:** Part of the RO reject water is recycled back to the RO membrane feedwater stream. To optimize water consumption water recovery can be adjusted up to 70 %, depending on the feedwater quality and the pretreatment sequence used.
- **constant product flow rate independent of temperature:** a unique feature allows RiOs systems to maintain a constant flow rate from 7-30 °C. Typically, standard RO-based systems suffer a decline of as much as 50 % in product flow rate as water temperature decreases.

system



Optimum control of water quality

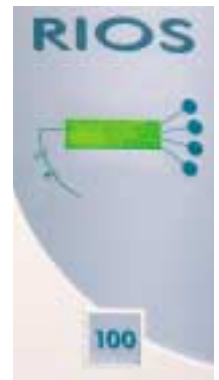
After each purification step, relevant parameters are checked by the system:

- Feed pressure, feedwater quality
- Pressure, RO water quality, RO membrane efficiency (% ion rejection)
- RiOs product water quality: conductivity and temperature
- Water quality in the loop return (conductivity) can also be checked by the system

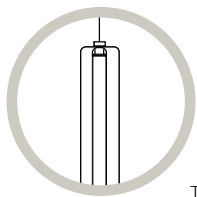
maximum control of distribution loop components

Integrated control functions for:

- the distribution pump
- UV lamp
- ASM on the storage reservoir
- resistivity monitoring in the distribution loop.



- ⑫ Resistivity Cell (optional)
- ⑬ UV Lamp
- ⑭ Product Water to Reservoir
- ⑮ Pressure Control
- ⑯ Pressure Sensor
- ⑰ Adjustable Flow Control
- ⑱ Flush Valve
- ⑲ Reject
- ⑳ Loop Resistivity Cell (optional)
- ㉑ Loop Return



Ultraviolet Lamp

During the last step, the water is sanitized by a 254 nm UV lamp. This powerful UV lamp leads to a log reduction value (LRV) of 4 in the bacterial count of the water (a bacterial count of 10,000 cfu/ml will be reduced to 1 cfu/ml), irrespective of the system's nominal flow rate. This allows the RiOs system to produce optimum water quality for bacteria-sensitive applications.

Millipore also offers a range of lower-volume water purification systems based on the same purification sequence and containing similar features. They can be an economical solution to supply a remote laboratory with the same laboratory-grade water quality for needs of 10 to 200 liters per day.

Specifications

Feedwater Requirements

Quality	Potable Mains (Tap) Water
Conductivity	< 2000 µS/cm (@ 25 °C)
pH	4 - 10
Maximum LSI	< 0.3
Calcium (as CaCO₃)	< 300 ppm (when system water recovery > 50 %)
Total Chlorine level	Millipore Application Specialist will determine pretreatment required
Fouling index	Millipore Application Specialist will determine pretreatment required
Feedwater pressure	2 bar minimum, 6 bar maximum (29 psi min, 86 psi max)
Flow rate	> 5 liters/min at 2 bar (1.3 gal/min at 29 psi)

General Specifications

Water connections

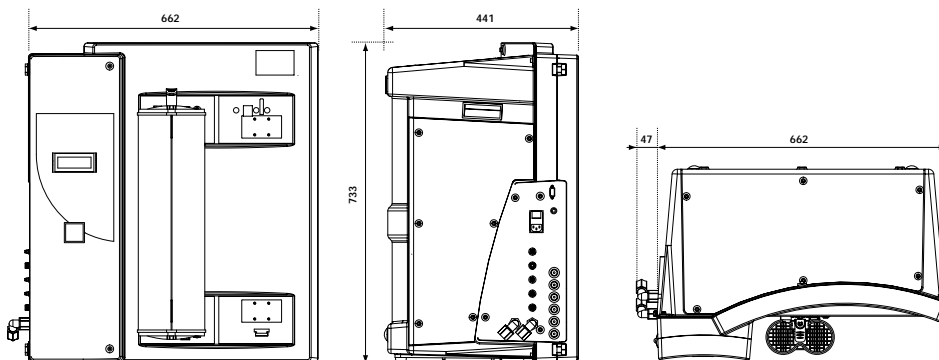
Solenoid valve feed: 1/2-in NPTM or 1/2-in M-GAZ
 System feed: 1/2-in tubing
 Product: 8 mm tubing
 RO reject: 1/2-in tubing

Data port connection: RS232

Drain requirements: > 5 liters/min (> 1.3 gal/min)

Electrical requirements

- 117 V/60 Hz, 10 A, (10 A Slo-Blo® fuse)
- 230 V/50 Hz, 5 A, (10 A Slo-Blo fuse)
- 110 V/50/60 Hz, 10 A, (10 A Slo-Blo fuse)



Dimensions (H x W x D)

733 mm x 662 mm x 441 mm
 (28.9 x 26.1 x 17.4 in)

additional 47 mm (1.8 in) width
 required for plumbing connections

System operating weight

RiOs 30:	33 kg (73 lbs)
RiOs 50:	34 kg (75 lbs)
RiOs 100:	36 kg (79 lbs)
RiOs 150:	38 kg (84 lbs)
RiOs 200:	40 kg (88 lbs)

System Performance

	RiOs 30	RiOs 50	RiOs 100	RiOs 150	RiOs 200
Product flow rate (nominal flow rates, 7-30 °C)	30 l/h 7.9 gal/h	50 l/h 13.2 gal/h	100 l/h 26.4 gal/h	150 l/h 39.6 gal/h	200 l/h 52.8 gal/h
Water recovery (Millipore Application Specialist will optimize recovery based on feedwater and pretreatment)	up to 45 %	up to 55 %	up to 70 %	up to 70 %	up to 70 %
Ion rejection	95-99 %	95-99 %	95-99 %	95-99 %	95-99 %
Organic rejection (MW > 200 Dalton)	> 99 %	> 99 %	> 99 %	> 99 %	> 99 %
Particles	> 99 %	> 99 %	> 99 %	> 99 %	> 99 %
Bacteria	< 10 cfu/ml	< 10 cfu/ml	< 10 cfu/ml	< 10 cfu/ml	< 10 cfu/ml

Maximum convenience and adaptation to GLP/GMP requirements



RiOs systems have been designed for minimum maintenance. Each purification step contains specific features which make the systems easy to use and is designed to help users working in GLP / GMP environments.

- > The Progard pretreatment pack contains a built-in tag which guarantees that the correct type of pack is used and that indicates when the pack is exhausted.
- > Automatic sanitization of the RO modules is carried out when the pretreatment pack is changed.
- > Automatic flush and rinsing cycles avoid stagnation of the water inside the system during periods when not in use.
- > All operating modes, performance parameters and indicators for routine maintenance are shown on the built-in backlit display.
- > When service and/or maintenance is required this is clearly indicated by a message on the system display and a flashing red or yellow LED indicator, depending on the intervention required.



Total Service & Support

From each stage of the project (conception, design and installation) to everyday use, Millipore offers comprehensive, high quality support services.

From the make-up water purification system to the components in the total water purification system (pure water storage, distribution loop, UV lamp, warning systems and control and measuring functions) Millipore gives customers the advantage of dealing with only one company for guaranteed results.

After installation, Millipore Customer Care Engineers can train you on system use and provide technical and maintenance support that responds to specific needs. This includes preventive maintenance and customized services, such as conductivity/temperature meter verification.

Additionally, our certified Customer Care Engineers offer assistance to help you successfully perform the Installation Qualification (IQ), Operational Qualification (OQ) and maintenance program within a GMP and/or GLP environment.

MILLIPORE

AFRICA	+33 1 30 12 70 00
AUSTRALIA	(02) 9888 8999
AUSTRIA	0820 874 464
BALTIC COUNTRIES	+358 9 804 5110
BELGIUM	070 225 645
BRAZIL	(011) 5548-7011
CANADA	(800) 645-5476
CHINA	(8610) 8519 1250
C.I.S.	+33 1 30 12 70 00
CZECH REPUBLIC	2-2051 3841
DENMARK	7010 5645
EASTERN EUROPE	+33 1 30 12 70 00
FINLAND	0203 05 645
FRANCE	0825 045 645
GERMANY	1805 045 645
HUNGARY	01-381-0433
INDIA	(91) 80-839 46 57
IRELAND	1 890 924 645
ITALY	0848 8 45 645
JAPAN	(03) 5442-9711
KOREA	(822) 551-0230
LUXEMBOURG	070 225 645
MALAYSIA	03-7957-1322
MEXICO	(55) 5576 9688
MIDDLE EAST AND GULF	0825 045 645
THE NETHERLANDS	0900 7 645645
NORWAY	810 62 645
POLAND	22-669 12 25
PORTUGAL	902 010 645
PUERTO RICO	(787) 273-8495
SINGAPORE	6842 1822
SPAIN	902 010 645
SWEDEN	0771 200 645
SWITZERLAND	0848 645 645
TAIWAN	886-2-2792-9333
U.K.	0870 900 46 45
U.S.A.	(800) 645-5476
OTHER COUNTRIES	+1 (781) 533-8622

www.millipore.com/H2O

All Millipore water purification systems are designed and developed in our integrated Research and Development centers in Europe, Japan and the United States.

R&D

Quality

Our manufacturing and distribution site, which is a recognized pharmaceutical facility, is ISO® 9001 and ISO 14001 certified.

Total PureWater
Solutions